

CWDM

4 and 8 Channel Module C

Features:

- Low insertion loss and PDL
- High channel isolation
- High stability and reliability without temperature control
- Optical path epoxy free

Applications:

- Optical networks
- Telecommunication systems
- CATV

Specifications:

Parameter	4 channels	8 channels
Central Wavelength	(see order information)	
Channel Spacing	20 nm	
Channel Pass Band @ -0.5dB	CWL \pm 6.5 nm min.	
Insertion Loss	\leq 1.6 dB	\leq 3.0 dB
Passband Ripple	\leq 0.3 dB	
Wavelength Temperature Sensitivity	\leq 5 pm/ $^{\circ}$ C	
Adjacent Channel Isolation	\geq 30 dB (demux)	
Directivity	\geq 55 dB	
Return Loss	\geq 45 dB	
PDL	\leq 0.1 dB	
Maximum Power	300 mW	
Operating Temperature	0 $^{\circ}$ C to +65 $^{\circ}$ C	
Storage Temperature	-40 $^{\circ}$ C to +85 $^{\circ}$ C	
Package Dimension	110 mm x 90 mm x 7 mm	110 mm x 90 mm x 7 mm

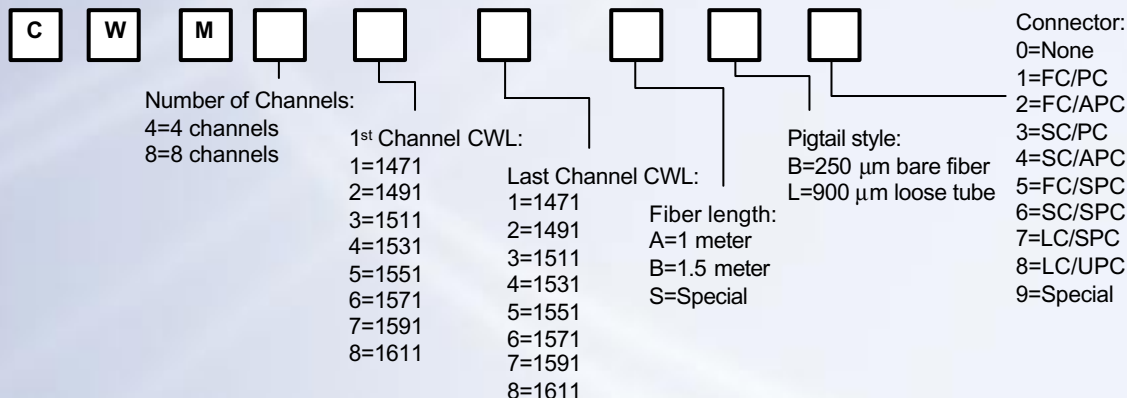
Note1: All values specified are without connectors.

Note2: Higher performance specifications upon request.

Note3: Fiber Type – Corning SMF-28 unless otherwise specified.

Note4: 1300 nm band series is available

Order Information:



REVISION
B

LIGHTTEL TECHNOLOGIES INC.

1034 Central Avenue South • Kent, WA 98032
Tel 253.814.2862 • Fax 253.813.2861
www.lightteltech.com